

# OPTI-Series

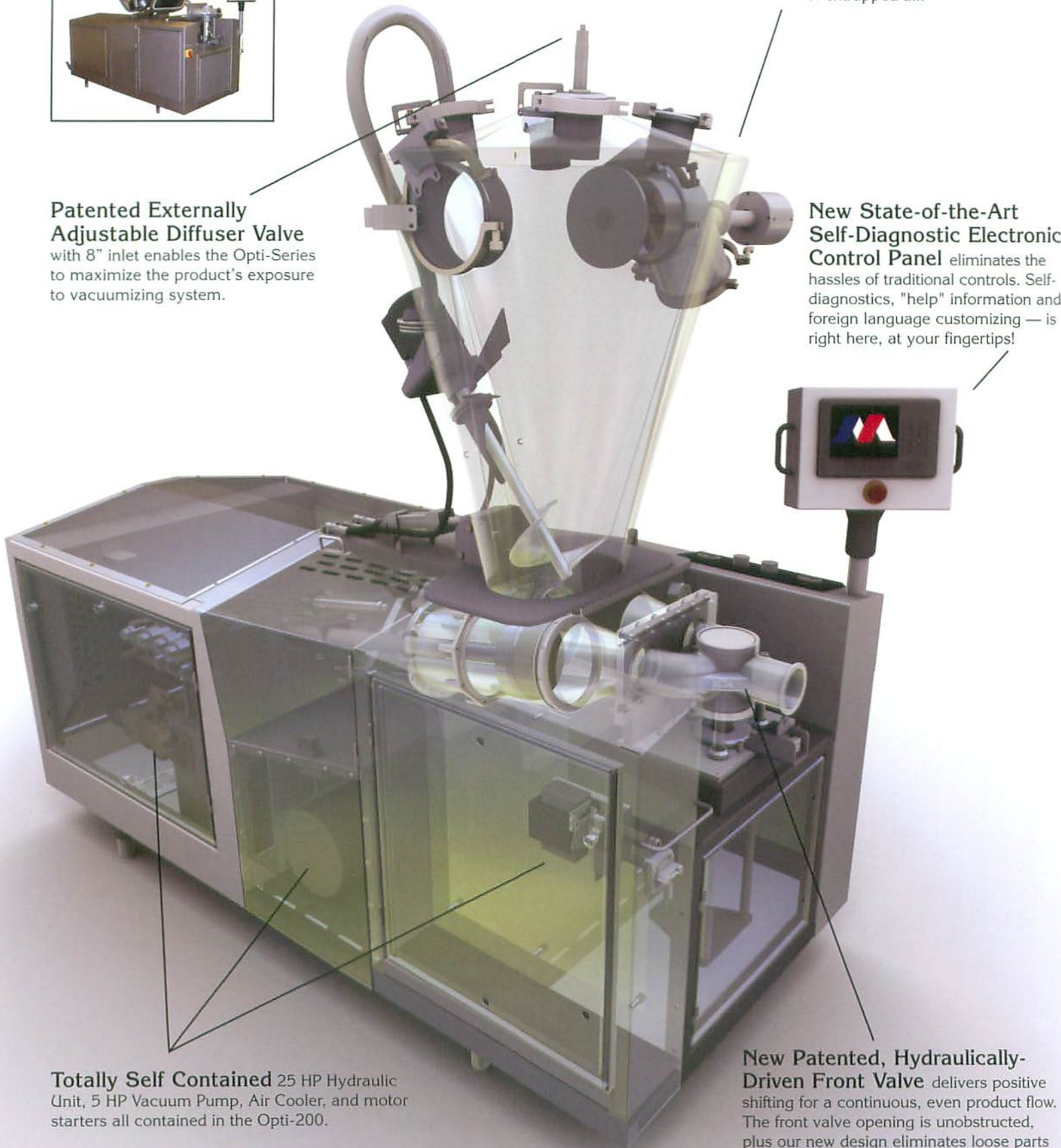




**New Vacuumizer Hopper** with auger for load assist. Marlen's unique high differential vacuum ensures maximum removal of entrapped air.

**Patented Externally Adjustable Diffuser Valve** with 8" inlet enables the Opti-Series to maximize the product's exposure to vacuumizing system.

**New State-of-the-Art Self-Diagnostic Electronic Control Panel** eliminates the hassles of traditional controls. Self-diagnostics, "help" information and foreign language customizing — is right here, at your fingertips!



**Totally Self Contained** 25 HP Hydraulic Unit, 5 HP Vacuum Pump, Air Cooler, and motor starters all contained in the Opti-200.

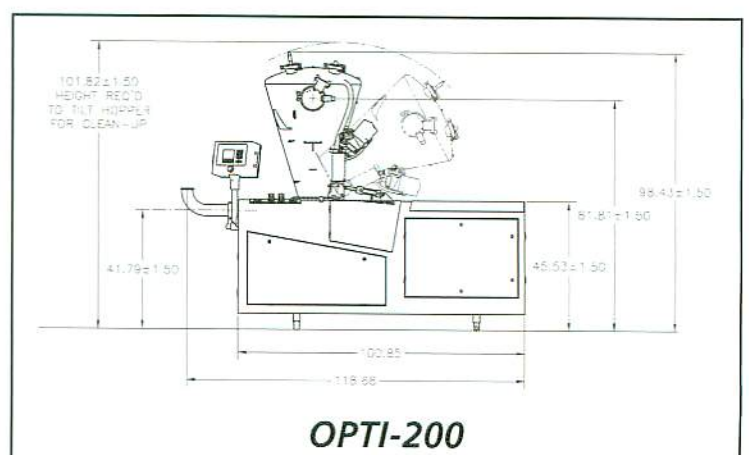
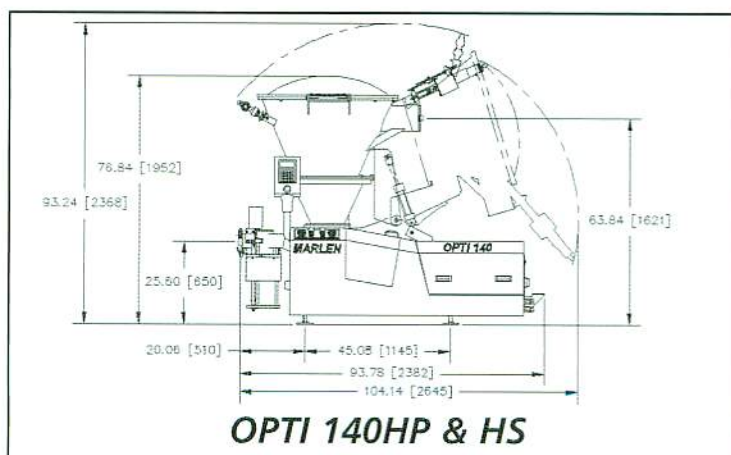
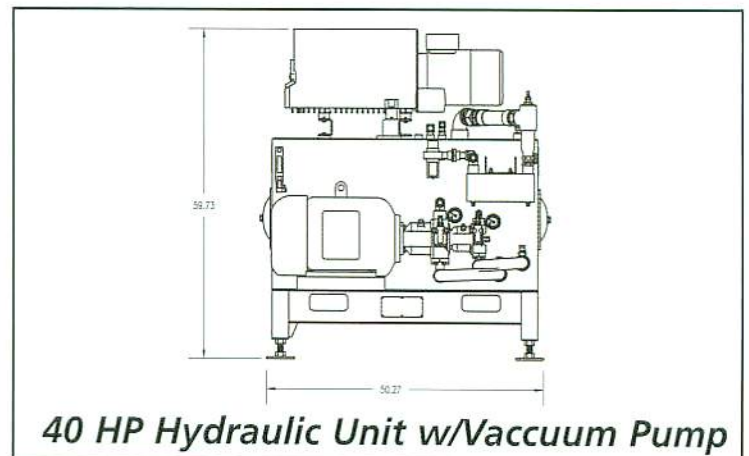
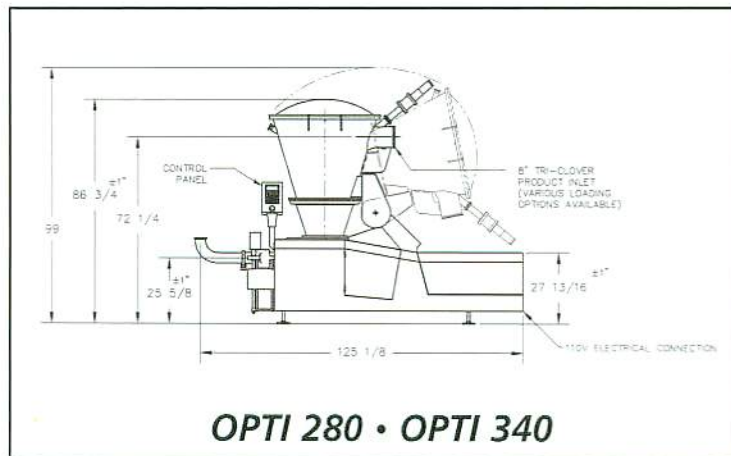
**New Patented, Hydraulically-Driven Front Valve** delivers positive shifting for a continuous, even product flow. The front valve opening is unobstructed, plus our new design eliminates loose parts and simplifies cleanup.

## **Marlen OPTI-Series Model 200**

# Marlen OPTI-Series

Product Specifications	Piston Diameter	Piston Stroke	Maximum (wt.) Capacity	Maximum Volume	Product Outlet	Max Product Pressure	Machine Weight
OPTI-140 HP	6 1/2" 166 mm	10" 250 mm	12,000 lbs/hr 5,454 kg/hr	22.7 GPM 5,864 l/hr	4" 100 mm	500 PSI 34 BAR	3,400 lbs 1,545 kg
OPTI-140 HS	8 9/16" 217 mm	10" 250 mm	20,000 lbs/hr 9,090 kg/hr	37.8 GPM 8,453 l/hr	4" 100 mm	250 PSI 17 BAR	3,400 lbs 1,545 kg
OPTI-200	8 9/16" 217 mm	14" 355 mm	20,000 lbs/hr 9,090 kg/hr	37.8 GPM 8,453 l/hr	4" 100 mm	250 PSI 17 BAR	4,270 lbs 1,940 kg
OPTI-280	8 9/16" 217 mm	14" 355 mm	28,000 lbs/hr 12,727 kg/hr	55 GPM 12485 l/hr	4" 100 mm	500 PSI 34 BAR	4,000 lbs 1,820 kg
OPTI-340	8 9/16" 217 mm	14" 355 mm	34,000 lbs/hr 15,227 kg/hr	66 GPM 14,980 l/hr	4" 100 mm	250 PSI 17 BAR	4,000 lbs 1,820 kg

Utility Specifications	Pump	Air Requirements	Power Unit	Cooling Water	Vacuum Pump
OPTI-140 HP	110 V 10 AMP 1Ph	3 CFM at 100 PSI	25 HP 230/460 V 3Ph/60 HZ 68/34 AMP	Up to 4 GPM	5 HP 230/460 V 7.6 AMP
OPTI-200	460 V 60 AMP 3Ph	3 CFM at 100 PSI	N/A	N/A	5 HP 230/460 V 7.6 AMP
OPTI-140 HS, 280, 340	110 V 10 AMP 1Ph	3 CFM at 100 PSI	40 HP 230/460 V 3Ph/60 HZ 104/52 AMP	Up to 8 GPM	7.5 HP 230/460 V 11.4 AMP





### Power-Tilt Hopper

is hydraulically operated from the touch pad control panel for full access into all product areas during cleanup. Tilts back with the touch of a finger.

**Patented Externally Adjustable Diffuser Valve**  
with 8" inlet enables the OPTI-Series to transfer highly viscous products and maximizes exposure to the vacuumizing system.

### Twin-Auger Vacuumizing Hopper

when combined with Marlen's unique high differential vacuum ensures maximum removal of entrapped air. All purpose open-top plain and auger-type hoppers are also available for every processing application

**State-of-the-Art Self-Diagnostic Electronic Control Panel**  
eliminates the hassles of traditional controls. Self-diagnostics, "help" information and foreign language customizing — is right here, at your fingertips!

### Programmable Logic Controller

with optional closed-looped feedback system can be customized with a variety of packages to meet your specific needs.

### Twin-Piston Pumping Chamber

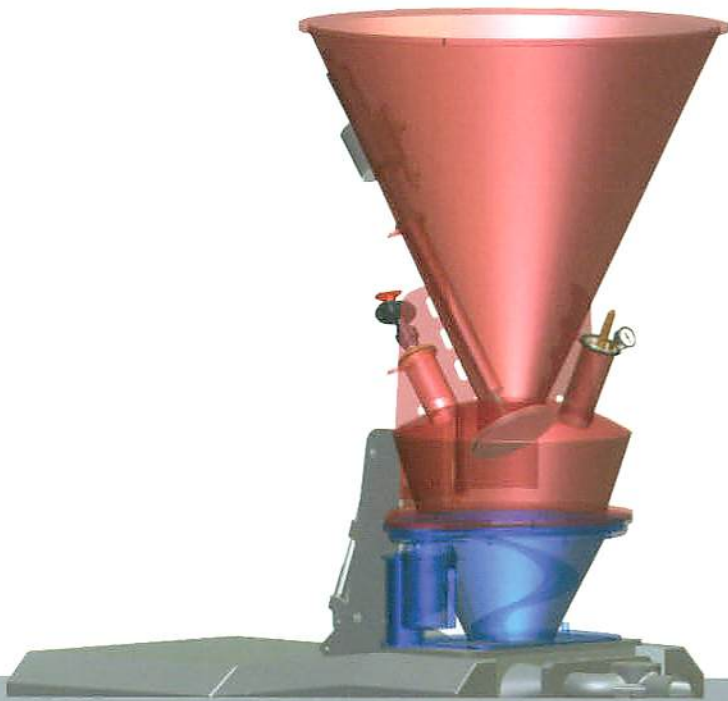
features an 10° incline that increases product flow into the pumping chamber. Easier loading into the pumping chamber ensures maximum operating efficiencies.

### Patented, Hydraulically-Driven Front Valve

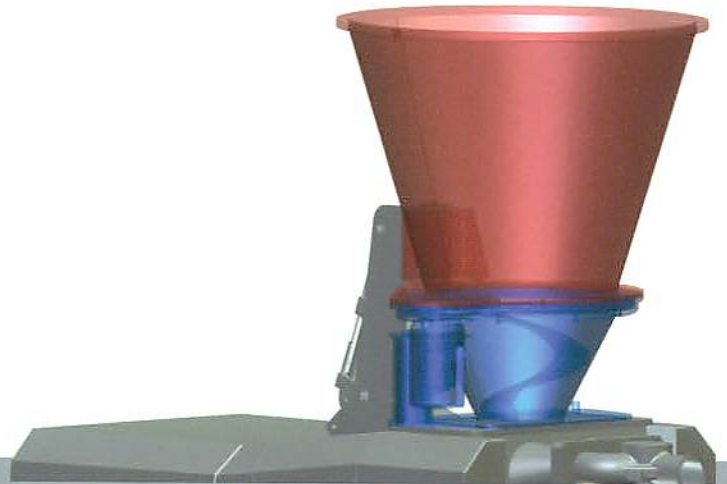
delivers positive shifting for a continuous, even product flow. The front valve opening is unobstructed, plus our new design eliminates loose parts and simplifies cleanup.

**Marlen OPTI-Series Model 280**

# Additional Hopper Options



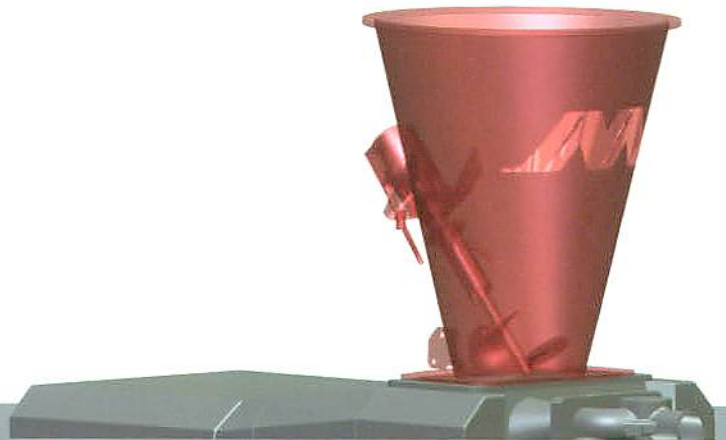
*Vacuumizer Combo Hopper*



*Two-Piece Auger Hopper*



*Flat Plate*



*One-Piece Auger Hopper*



*Opti-280 w/11" Vari-Kut*



*2000 Vari-Form*

*VPT*



*Transfer Valve*



*COV Portioner*



*RS Portioner*

## **THE MARLEN LINE...**

Marlen OPTI-Series Pumps, ComboVac, Vari-Kut, Vari-Form, Exact Weight Portioner, Dump Buggies, Dumpers, Hoppers, Molded Product Systems, Stainless Floor Drains, Stainless Tanks, Vats, Press Racks, Molds, and a complete line of Thermal Processing Equipment.

***If your name is on the label, our reputation is on the line.***