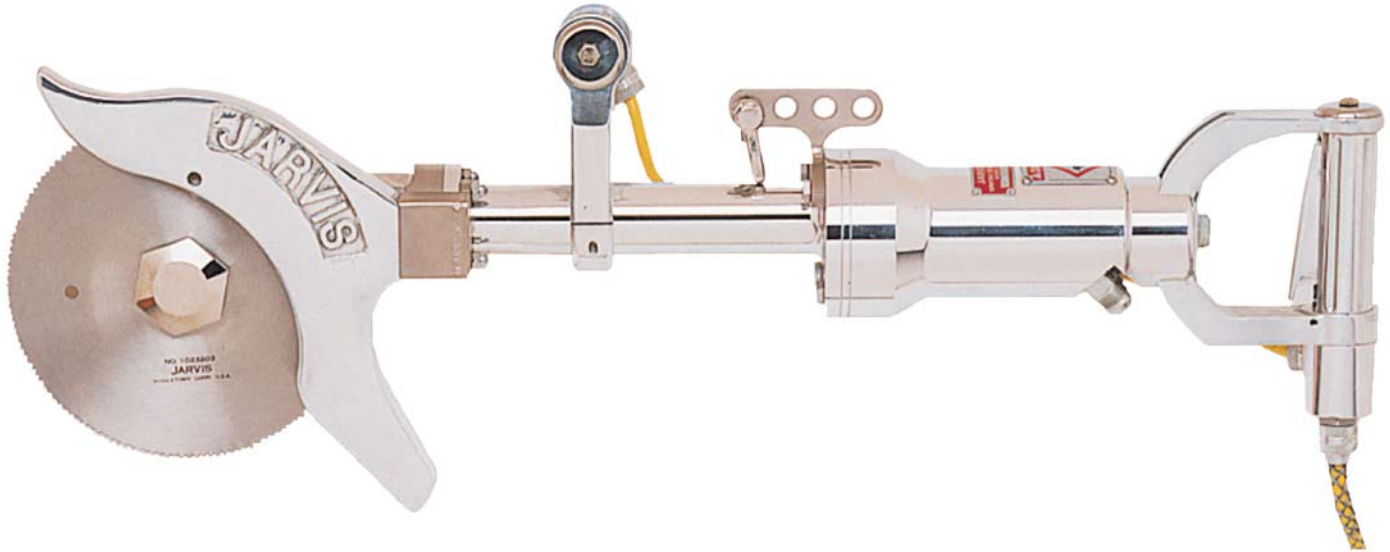


# HOG BRISKET SAW

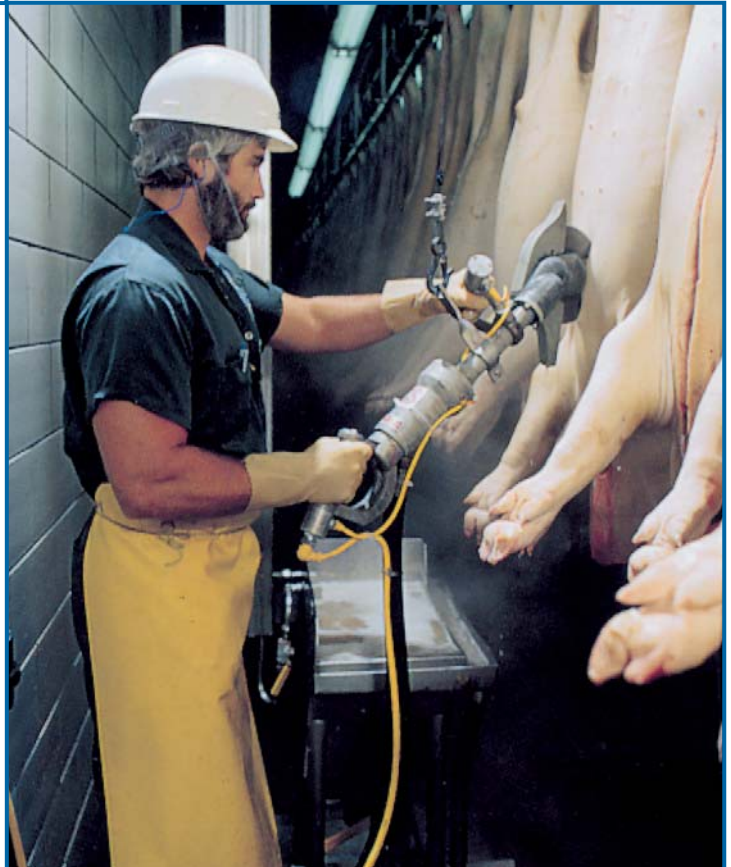
## Model HBS-3



**The Jarvis Model HBS-3 -  
hydraulically powered brisket saw  
for hogs and sows.**

**JARVIS**

- Cuts through all hog and sow briskets quickly and accurately.
- Fast - a single operator can handle up to 1000 hogs / hour.
- Short overall length, lightweight and adjustable handles for optimum handling and maneuverability.
- Rugged design, including a heavy-duty stainless steel cutting head for long, trouble-free operation.
- Anti-tie down controls and instant stop blade for operator safety.
- Meets national and international requirements for safety and hygiene.



**HBS-3: THE ULTIMATE HOG BRISKET SAW**

# HOG BRISKET SAW

## Model HBS-3

### Specifications

Drive	Hydraulic	
-------	-----------	--

#### Model HBS-3

Capacity	1000 / hour	
----------	-------------	--

Blade Speed at 5.5 gal / min or 20.8 L / min	1925 rpm	
--	----------	--

Control Handles	Dual Anti-tie Down	Electric
-----------------	--------------------	----------

#### Blade Diameters

Hog	8.0 in	203 mm
-----	--------	--------

Sow	9.0 in	229 mm
-----	--------	--------

#### Cutting Depths

Hog	3.0 in	76 mm
-----	--------	-------

Sow	4.0 in	102 mm
-----	--------	--------

Overall Length (with $\varnothing$ 8.0 in / 203 mm blade)	32 in	813 mm
---	-------	--------

Weight	30 lbs	13.4 kg
--------	--------	---------

#### Hydraulic Power Unit

Motor Power	7.5 hp	5593 W
-------------	--------	--------

Operating Voltage	460 / 230 V, 3 phase, 60 Hz other voltages and 50 Hz available	
-------------------	---	--

Hydraulic Pressure	2000 psi	
--------------------	----------	--

Flow Rate	5.5 gal / min	20.8 L / min
-----------	---------------	--------------

Hose Length	16 ft	5 m
-------------	-------	-----

Oil Capacity	30 gal	114 L
--------------	--------	-------

Overall Dimensions (l x w x h)	37.6 x 31.8 x 33.7 in	955 x 808 x 856 mm
--------------------------------	-----------------------	--------------------

Weight (without oil)	410 lbs	186 kg
----------------------	---------	--------

### Equipment Selection and Accessories

### Order Number

#### Model HBS-3

Hog	with $\varnothing$ 8.0 in / 203 mm blade	4007016
-----	--	---------

Sow	with $\varnothing$ 9.0 in / 229 mm blade	4007017
-----	--	---------

#### Hydraulic Power Unit

with hydraulic hoses and control cable 460 / 230 V, 3 phase, 60 Hz*	4027064
--	---------

Balancer	4042046
----------	---------

#### Blade

Hog	$\varnothing$ 8.0 in / 203 mm blade	1023203
-----	-------------------------------------	---------

Sow	$\varnothing$ 9.0 in / 229 mm blade	1023010
-----	-------------------------------------	---------

\* For other configurations: please specify voltage, hertz and intended country of operation when ordering.



Products for the meat and poultry industry

Jarvis Products Corporation · 33 Anderson Road · Middletown, CT 06457-4926 · United States of America  
Telephone (860) 347-7271 · Fax (860) 347-9905 · jarvis.products.corp@snet.net · www.jarvisproducts.com