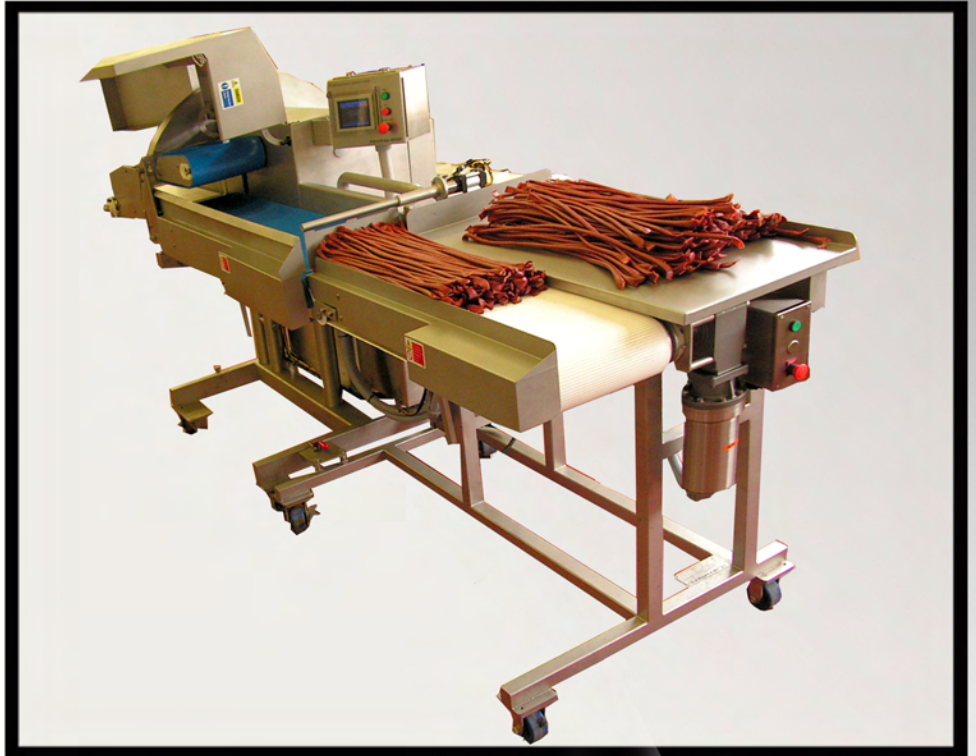


Model AE-5000 *Logger*

The **AE-5000 Logger** portions products such as meat logs, snack sticks and loaves into specific lengths using PLC technology to determine overall size of product for accurate, equal cuts using Carruthers' unique slicing action that does not smear. This unit can be programmed by the operator to remove the ends and / or clips from the product, and reject them using a downstream conveyor or metal detector. A conveyORIZED 'staging' table is also available to make this a completely automated system.

The **AE-Logger** is capable of processing product stacked up to 5" in diameter, with 11-3/4" of belt width available. Throughput up to 3000 lbs per hour can be achieved, depending on cut size and type of product.



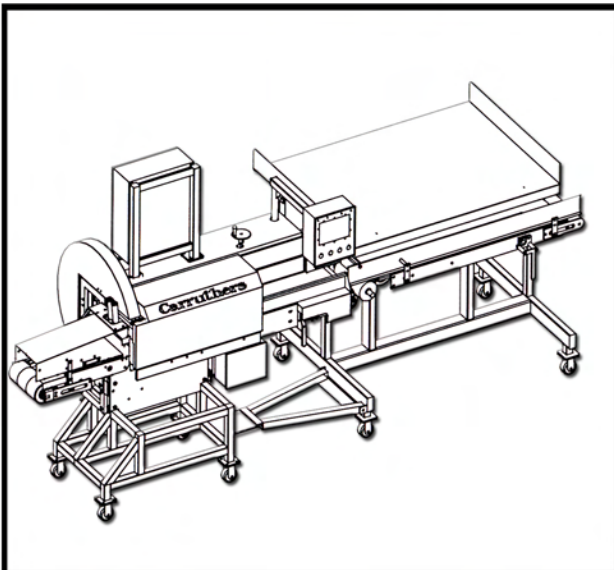
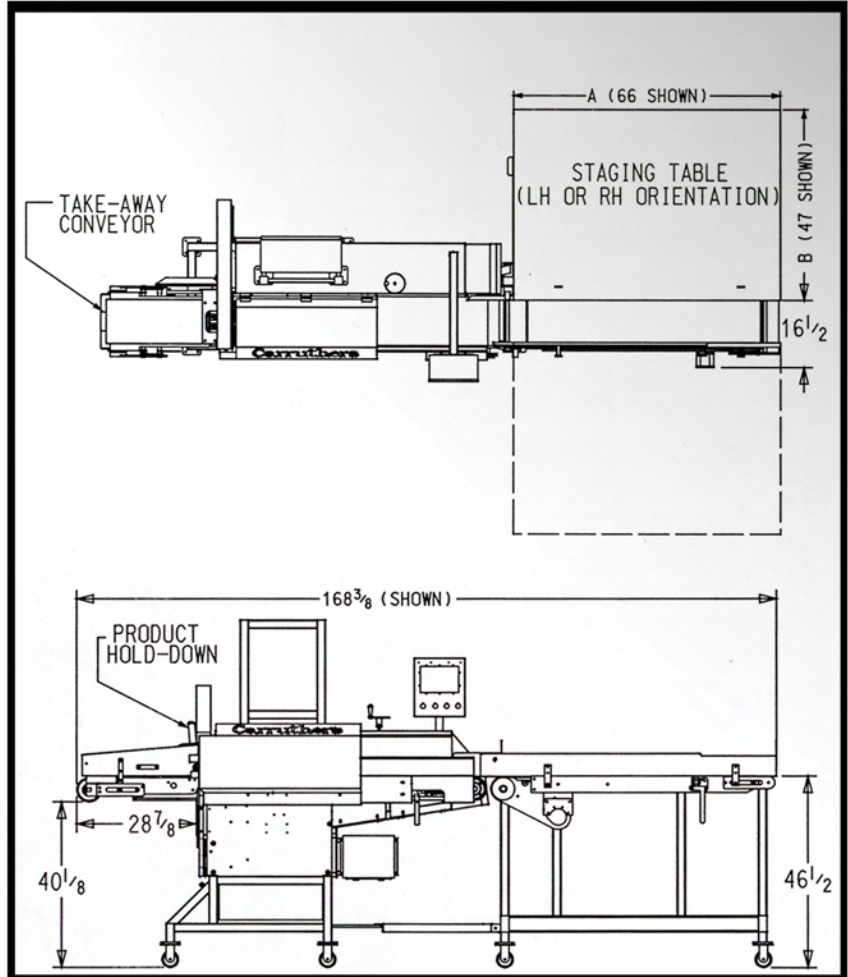
ADVANT Edge



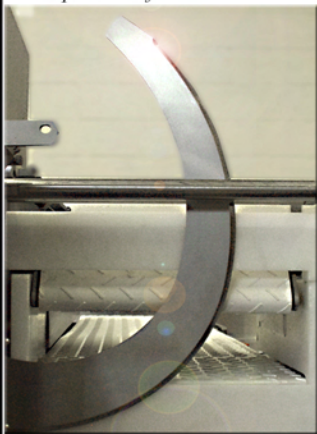
CARRUTHERS

1815 NW Warrenton Drive
 Warrenton, Oregon 97146
 Telephone: 503/ 861-2273
 Fax: 503/ 296-5800
 E-Mail: sales@carruthers.us

Model AE-5000 *Logger*



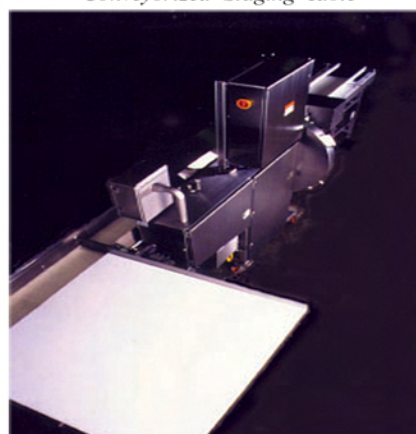
Spiral Knife



User Friendly Touch screen with storage capacity up to 100 individual cut programs



Conveyorized 'Staging' Table



Clean precise cuts within 1/16 of an inch

