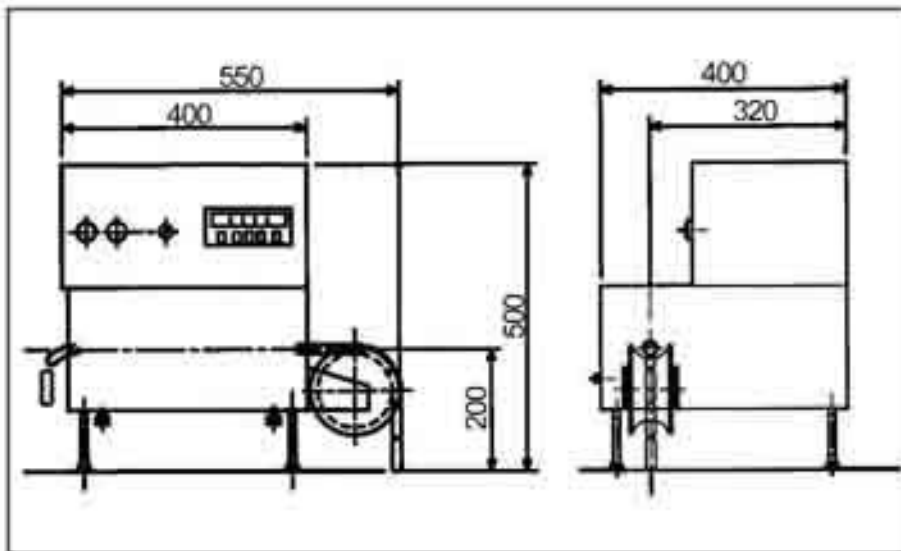


SAUSAGE CUTTER

This machine cuts twisted parts of wieners, frankfurters, etc., separating sausages into pieces.

- Small-sized and light weight
- Available in cutting off various sized and various casing (natural, collagen, cellulose) sausages
- Available in overhauling each block and washing for sterilizing so it's hygiene
- Devices for counting and setting up a number of cut pieces are attached
- Available in making slit on the surface of sausage at the same time as cutting (by option)
- Feeding roller is not included in the standard sausage cutter

LAYOUT



SPECIFICATIONS

Conveyer Speed	35 meters per minute
Cutting Capacity	400 pieces per minutes (in case of 70 mm length)
Casing Size	φ 15mm-35mm
Power Requirements	100V 90W ; 240V 100W
Pneumatic Requirements	5 kg per sq. cm
Height	500mm
Width	550mm
Length	400mm
Weight	Approx. 40kg

Specifications and equipment are subject to change without any obligation on part of the manufacturer.
The above production rate changes subject to the conditions such as production item, factory and other conditions.

HITEC CO., LTD.

HEAD OFFICE & FACTORY

2565-8, NAGATSUTA-CHO, MIDORI-KU, YOKOHAMA 225-0028, JAPAN

PHONE +81-45-983-5000 FAX +81-45-983-0020

E-mail: sales@hitec-jp.com

Home Page: www.hitec-jp.com

SAUSAGE CUTTING MACHINE

HITEC

SAUSAGE CUTTER

